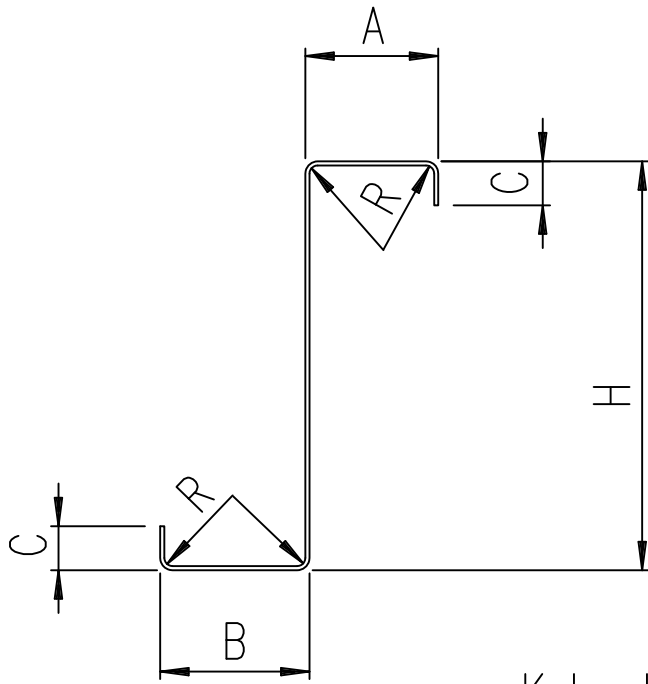
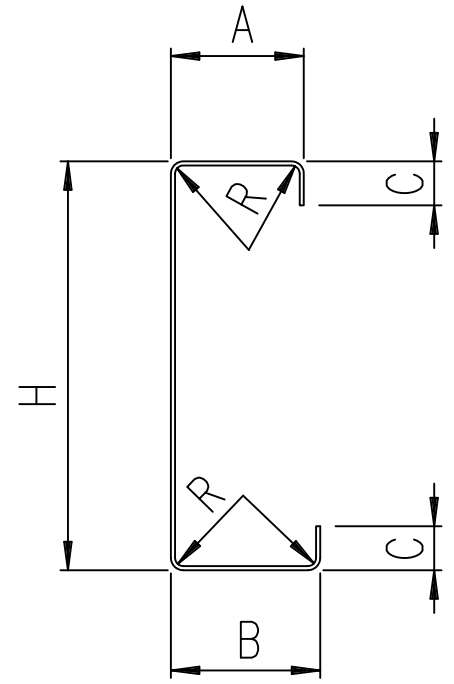


Weckman Z- ja C-kevytorret



Z-Malli

Kulmat $90^\circ \pm 3^\circ$



C-Malli

Profili	H	A	B	C	R
Z 100 C 100	100	42	48	18	4 ±1
Z 120 C 120	120	42	48	18	4 ±1
Z 150 C 150	150	42	48	18	4 ±1
Z 200 A C 200 A	200	42	48	18	4 ±1
Z 200 B C 200 B	200	65	73	21.5	4 ±1
Z 250 C 250	250	65	73	21.5	4 ±1