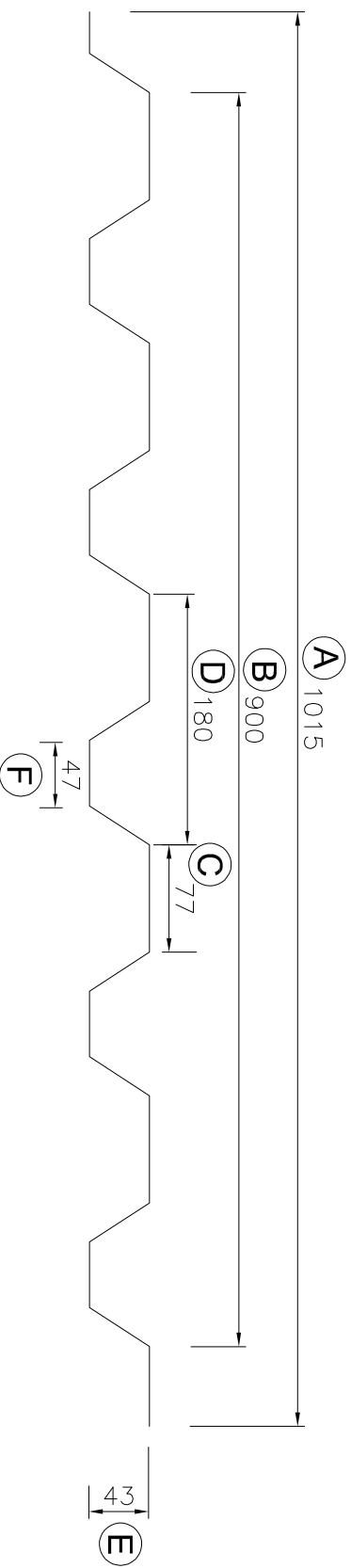


W-45JA/900



| Tolerances | | |
|---------------------|----------------------------|---|
| Measure | Length | EN 1090-4 Annex D |
| A | - | Target in production |
| B (w) | +/- 5 mm | deviation to the edge of sheet leaving nehermost in overlapping |
| C (b) | + 4 mm/- 1 mm | +/- 5 mm |
| D (b ₁) | +/- 4 mm | + 2 mm/- 1 mm |
| E (h) | +/- 2 mm | +/- 2 mm |
| F (b) | + 4 mm/- 1 mm | +/- 1 mm |
| G (L) | L ≤ 3000 mm L > 3000 mm | + 10mm/- 5 mm + 20mm/- 5 mm |
| H (h ₂) | + 3mm/- 1mm | + 3mm/- 1mm |

| | | | |
|---------------------|---------------|--|---|
| Material | | S280GD+Z275 (0,5mm); S320GD+Z275 (0,6mm); S350GD+Z275 (0,7;0,8; 0,9mm) | |
| Product | W-45JA/900 | Manufacturer | Weckman Steel Oy Hätkälantie 72 19110 Vierumäki |
| Draw. | MS 13.01. -03 | | Drawing no. ENW45JAK |
| Rev. | MS 13.06. -22 | | |
| Insp. | | Mass (0,5 mm sheet) | 5,56 kg/e-sqm |
| Appr. | | | |
| Purpose of use | | Wall/Insulated roof | |
| Nominal thicknesses | | 0,5; 0,6; 0,7; 0,8; 0,90 mm | |
| All rights reserved | | | |